

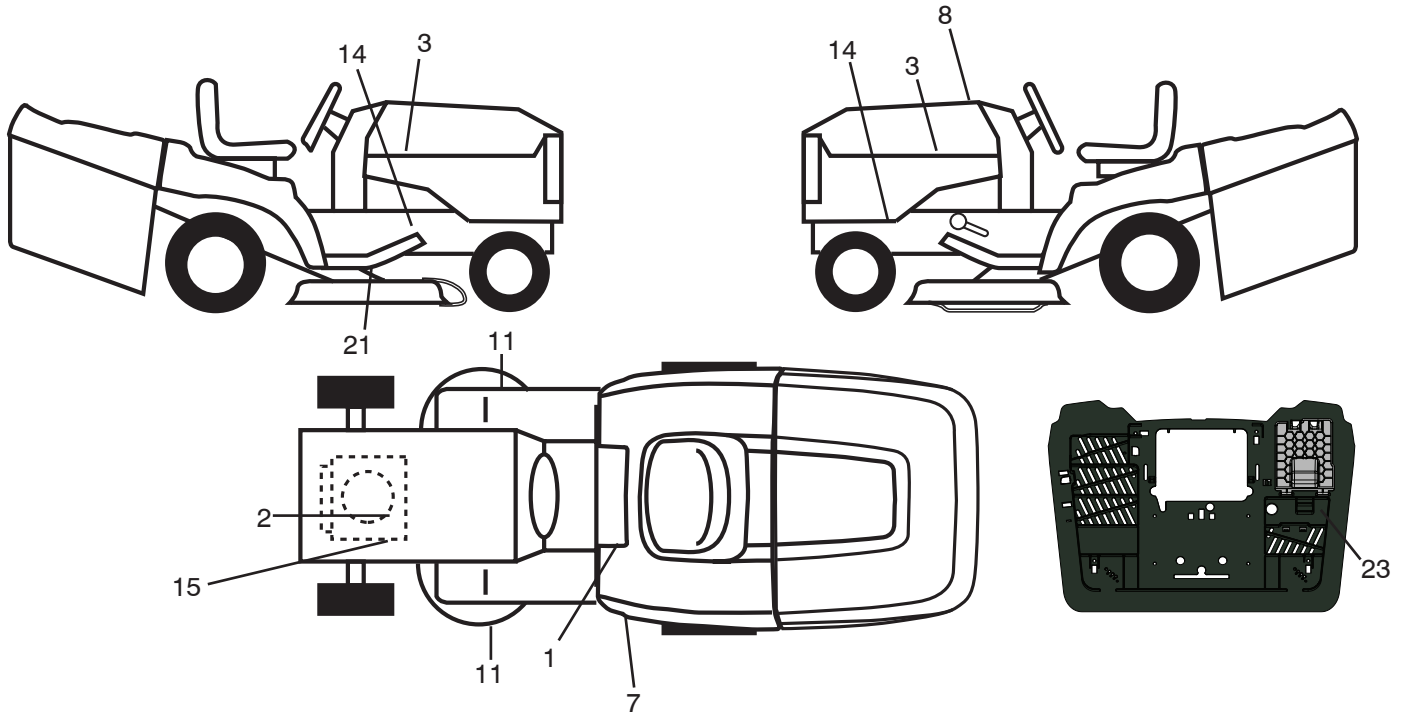
ILLUSTRATED PARTS LIST

MFG. ID NO. 96051006402

CUSTOMER CATALOG NO. M155-107TC

PRODUCT NO. 960 51 00-64

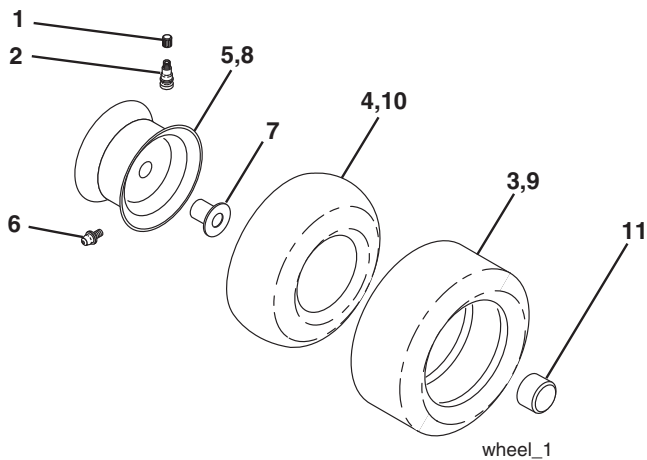
**TRACTOR - MODEL NO. M155-107TC (96051006402), PROD. NO. 960 51 00-64
DECALS 27**



KEY NO.	PART NO.	DESCRIPTION
1	581 57 83-01	Decal, Warning
2	581 57 97-01	Decal, Warning Eng. Sym.
3	581 09 12-01	Decal, Hood RH/LH
7	581 60 79-01	Decal, Fender
8	584 22 07-01	Decal, Replacement
11	581 57 91-01	Decal, Mower Cut Finger Symbol
14	581 57 96-01	Decal, Chassis Hot Muffler
15	532 43 74-13	Decal, Engine HP

KEY NO.	PART NO.	DESCRIPTION
21	532 44 11-89	Decal, Belt Sch CRD
23	532 44 46-19	Decal, Bypass
--	532 42 59-86	Pad Footrest RH
--	532 42 59-76	Pad Footrest LH
--	584 24 52-40	Manual Operator's (Euro)
--	584 24 51-50	Manual Operator's (Scan)
--	584 24 46-20	Manual Operator's (E-Bloc)
--	584 24 44-30	Manual Operator's (Baltic)

WHEELS & TIRES



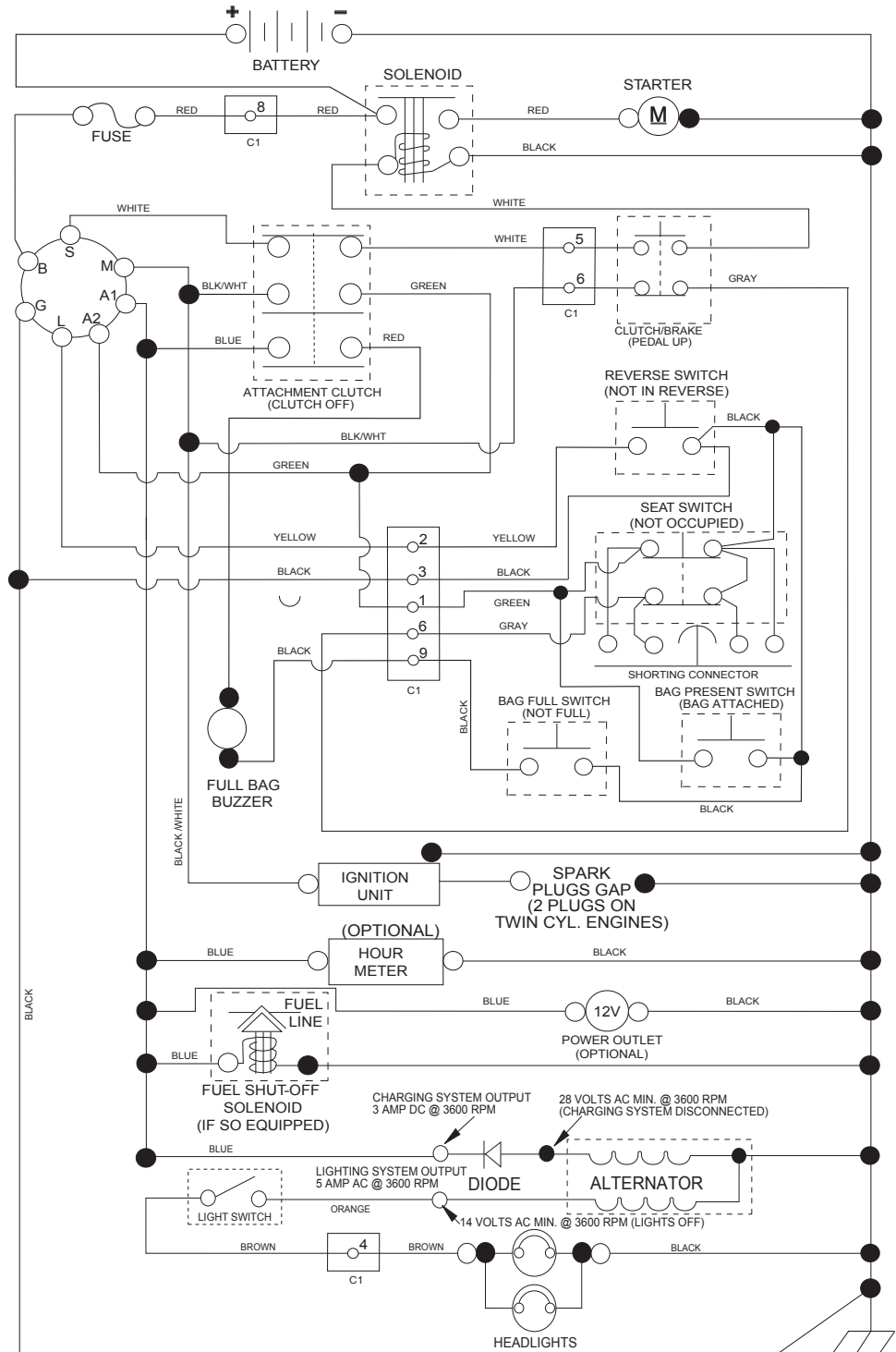
KEY NO.	PART NO.	DESCRIPTION
1	532 05 91-92	Cap Valve Tire
2	532 06 51-39	Stem Valve
3	532 10 62-22	Tire F Ts 15 x 6 0 - 6 Service
4	532 05 99-04	Tube Inner Front #35060
5	532 12 51-21	Rim Asm 6" Front Silver Service
6	532 12 49-57	Fitting Grease
7	532 12 49-59	Bearing Flange
8	532 12 51-22	Rim Asm 8" Rear Silver Service
9	532 42 05-31	Tire R.Ts-LT 18 x 9.5-8 C Ser.
10	532 12 49-26	Tube Rear 9 5 x 8 Service
11	532 19 32-68	Cap Axle
--	532 14 43-34	Sealant, Tire (10 oz. Tube)

NOTE: All component dimensions given in U.S. inches
1 inch = 25.4 mm

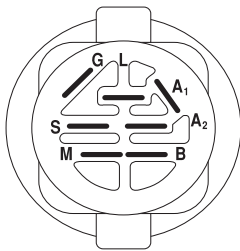
TRACTOR - MODEL NO. M155-107TC (96051006402), PROD. NO. 960 51 00-64

SCHEMATIC **38**

SCH17

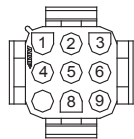


NOTE
YOUR TRACTOR IS EQUIPPED WITH A SPECIAL ALTERNATOR SYSTEM. THE LIGHTS ARE NOT CONNECTED TO THE BATTERY, BUT HAVE THEIR OWN ELECTRICAL SOURCE. BECAUSE OF THIS, THE BRIGHTNESS OF THE LIGHTS WILL CHANGE WITH ENGINE SPEED. AT IDLE THE LIGHTS WILL DIM. AS THE ENGINE SPEED IS INCREASED, THE LIGHTS WILL BECOME THEIR BRIGHTEST.

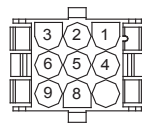


IGNITION SWITCH

POSITION	CIRCUIT	"MAKE"
OFF	M+G+A1	
RUN/OVERRIDE	B+A1	
RUN	B+A1	L+A2
START	B + S + A1	



CHASSIS HARNES CONNECTOR (C1) (MATING SIDE)



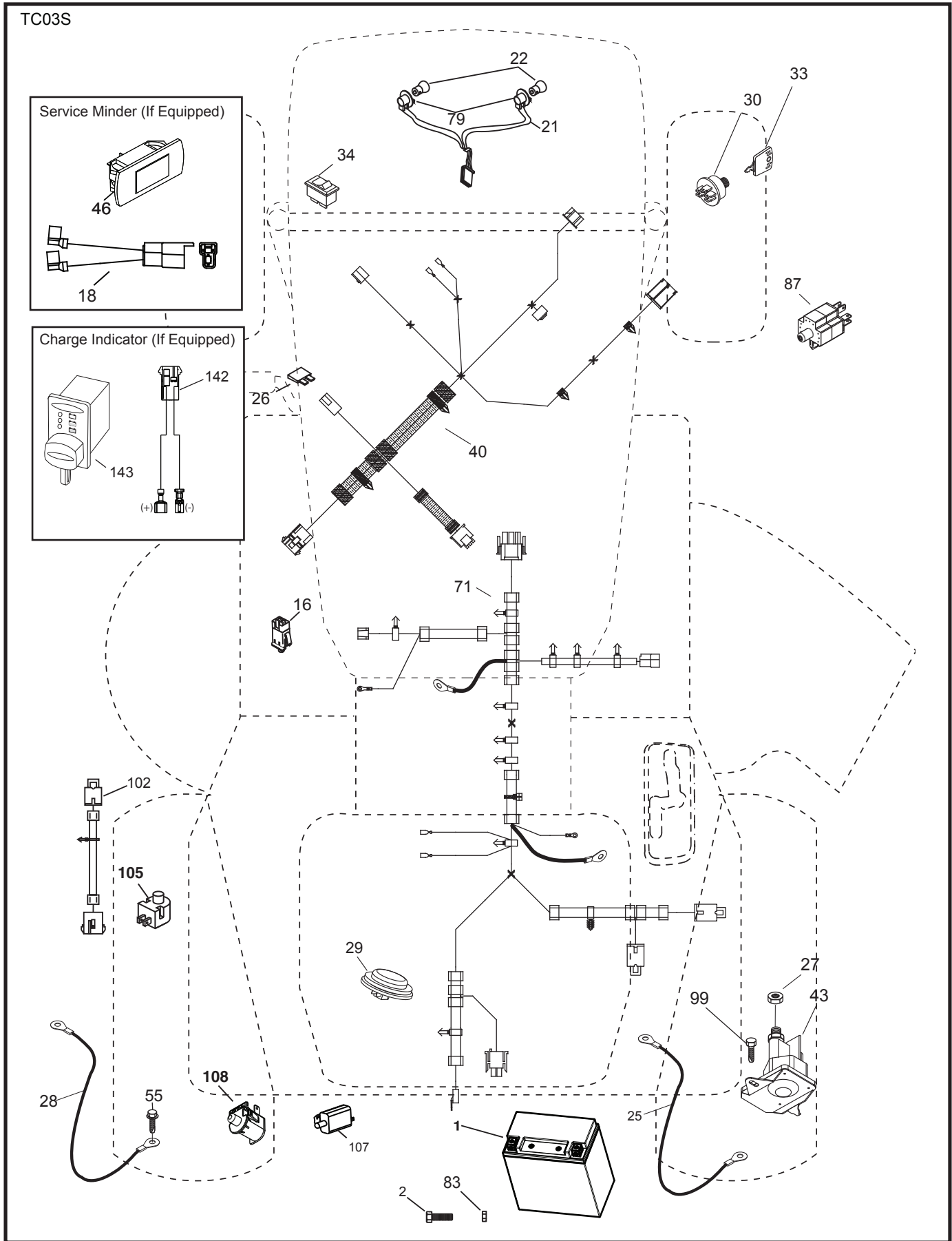
DASH HARNES CONNECTOR (C1) (MATING SIDE)

WIRING INSULATED CLIPS
NOTE: IF WIRING INSULATED CLIPS WERE REMOVED FOR SERVICING OF UNIT, THEY SHOULD BE RE-INSTALLED TO PROPERLY SECURE YOUR WIRING.

NON-REMOVABLE CONNECTIONS

REMOVABLE CONNECTIONS

TRACTOR - MODEL NO. M155-107TC (96051006402), PROD. NO. 960 51 00-64
ELECTRICAL 32

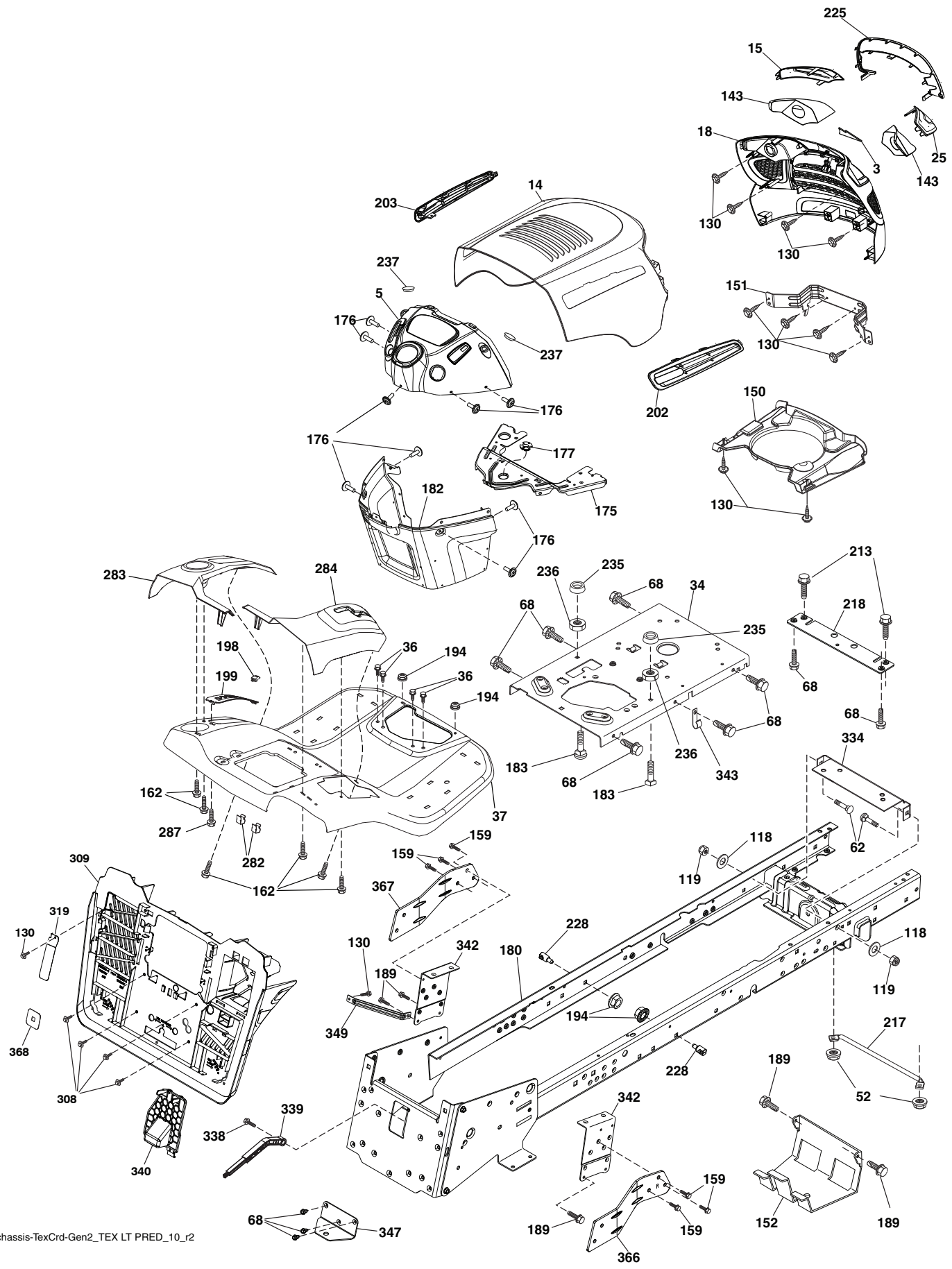


**TRACTOR - MODEL NO. M155-107TC (96051006402), PROD. NO. 960 51 00-64
ELECTRICAL 32**

KEY NO.	PART NO.	DESCRIPTION
1	532 43 71-57	Battery
2	532 44 09-23	Screw Hex Hd Cap M6 x 1.12mm
16	532 17 61-38	Switch Interlock
21	532 40 02-52	Harness Asm Light w/4152J
22	532 00 41-52	Bulb Light #1156
25	532 44 13-82	Cable Battery Red
26	532 17 51-58	Fuse
27	873 51 04-00	Nut Keps Hex 1/4-20 unc
28	532 44 13-83	Cable Ground Black
29	532 40 15-45	Switch Seat
30	532 19 33-50	Switch Ignition
33	532 41 19-35	Key/Chain
34	532 11 07-12	Switch Light
40	532 42 10-02	Harness Ignition Dash
43	532 19 25-07	Solenoid
55	817 06 05-12	Screw 5/16-18 x 3/4
71	532 44 08-20	Harness Chassis
79	532 17 52-42	Socket Asm.
83	532 43 67-74	Nut Square M6 x 1 x 8.5 x 11mm
87	532 42 10-60	Switch Railmount
99	817 72 04-08	Screw 1/4-20 x 1/2
102	532 44 12-62	Harness Pigtail
105	532 40 75-68	Switch Reverse
107	532 18 03-79	Switch Full Bagger Indicator
108	532 42 10-62	Switch Snapmount

NOTE: All component dimensions given in U.S. inches
1 inch = 25.4 mm

TRACTOR - MODEL NO. M155-107TC (96051006402), PROD. NO. 960 51 00-64
CHASSIS AND ENCLOSURES **39**

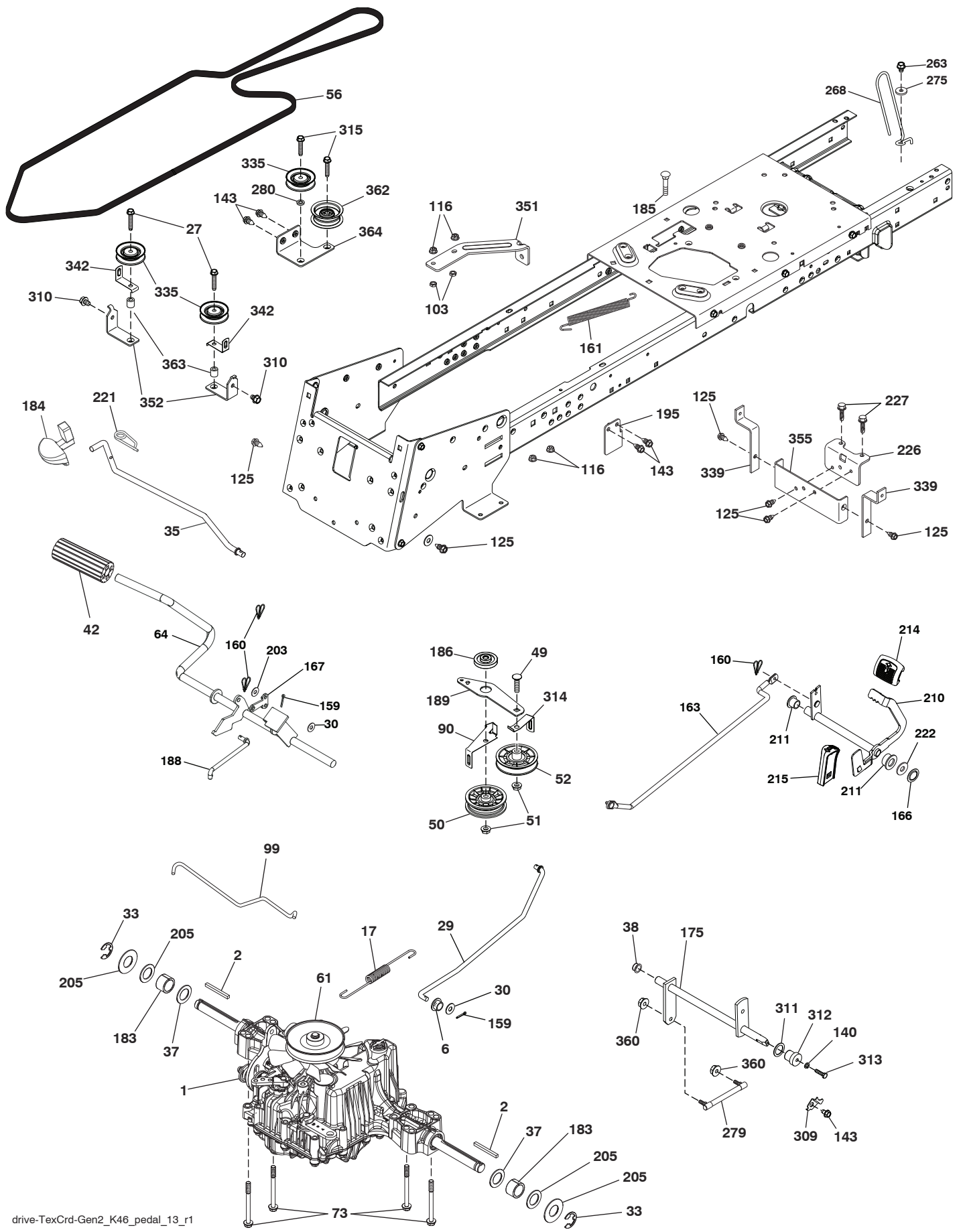


**TRACTOR - MODEL NO. M155-107TC (96051006402), PROD. NO. 960 51 00-64
CHASSIS AND ENCLOSURES 39**

KEY NO.	PART NO.	DESCRIPTION	KEY NO.	PART NO.	DESCRIPTION
3	578 89 71-01	Emblem Mount	213	874 76 05-12	Bolt 5/16-18 x 3/4
5	532 40 95-97	Dash	217	532 40 91-67	Rod Pivot Hood
14	581 56 47-01	Hood	218	532 19 63-95	X-Piece Hood Stop
15	581 05 58-01	Lens LH	225	581 05 62-01	Trim Ring
18	581 05 57-01	Grille	228	532 19 51-61	Stud Fastener
25	581 05 59-01	Lens RH	235	532 40 61-29	Spacer Fender
34	580 91 09-01	Plate Engine	236	873 93 05-00	Nut Lock 5/16-18 unc
36	817 06 05-12	Screw 5/16-18 x 3/4	237	532 40 37-04	Plug Mount Cargo
37	532 43 96-24	Fender	282	532 41 41-10	Clip Retainer
52	873 68 05-00	Nut Crown Lock 5/16	283	532 44 76-71	Console Deck Lift
62	872 11 06-08	Bolt 3/8-16 x 1 Gr. 5	284	532 44 72-11	Console Shift RH
68	817 49 05-08	Screw Thdrol. 5/16-18 x 1/2	287	817 60 04-06	Screw Hex Washhead 1/4-20 x 3/8
118	819 13 13-16	Washer 13/32 x 13/16 x 16 Ga.	308	532 17 18-77	Bolt 5/16-18 unc x 3/4
119	873 68 06-00	Nut 3/8-16 unc	309	581 32 89-11	Backplate Bagger
130	532 41 63-58	Screw #10 x 0.750 BOS Thread	319	581 31 39-06	Lever Bagger
143	581 05 60-02	Insert Reflective RH/LH	334	532 44 25-37	Engine Plate
150	532 40 02-67	Duct, Air	338	532 43 66-40	Bolt Shoulder
151	532 18 75-68	Bracket Pivot Hood	339	532 43 66-41	Lever Bagger Full
152	532 19 95-35	Shield Browning	340	581 32 90-01	Door Battery
159	817 00 06-12	Screw Hex wsh Thdr 3/8-16 x 3/4	342	532 43 59-38	Support Fender
162	532 14 24-32	Screw Hex wsh Hi-Lo 1/4 x 1/2 unc	343	532 44 07-49	Clip
175	532 19 94-72	Crossmember	347	532 44 28-87	Hitch
176	532 40 07-76	Screw 10-24 x 5/8	349	532 43 66-06	Bracket, Support
177	532 19 52-28	Bushing Steering	366	581 31 46-02	Bracket RH Front Bagger
180	583 90 27-01	Chassis	367	581 31 45-02	Bracket LH Front Bagger
182	532 40 71-76	Dash Lower	368	581 42 48-01	Full Lever Bagger
183	874 52 05-20	Bolt 5/16-18 x 1-1/4			
189	817 00 05-12	Screw 5/16-18 x 3/4			
194	873 90 05-00	Nut Lock Hex Flange 5/16-18			
198	532 44 80-48	Indicator Deck Lift			
199	532 41 87-39	Plate Deck Lift			
202	581 56 49-01	Vent Hood RH			
203	581 56 48-01	Vent Hood LH			

NOTE: All component dimensions given in U.S. inches
1 inch = 25.4 mm

TRACTOR - MODEL NO. M155-107TC (96051006402), PROD. NO. 960 51 00-64
DRIVE 40

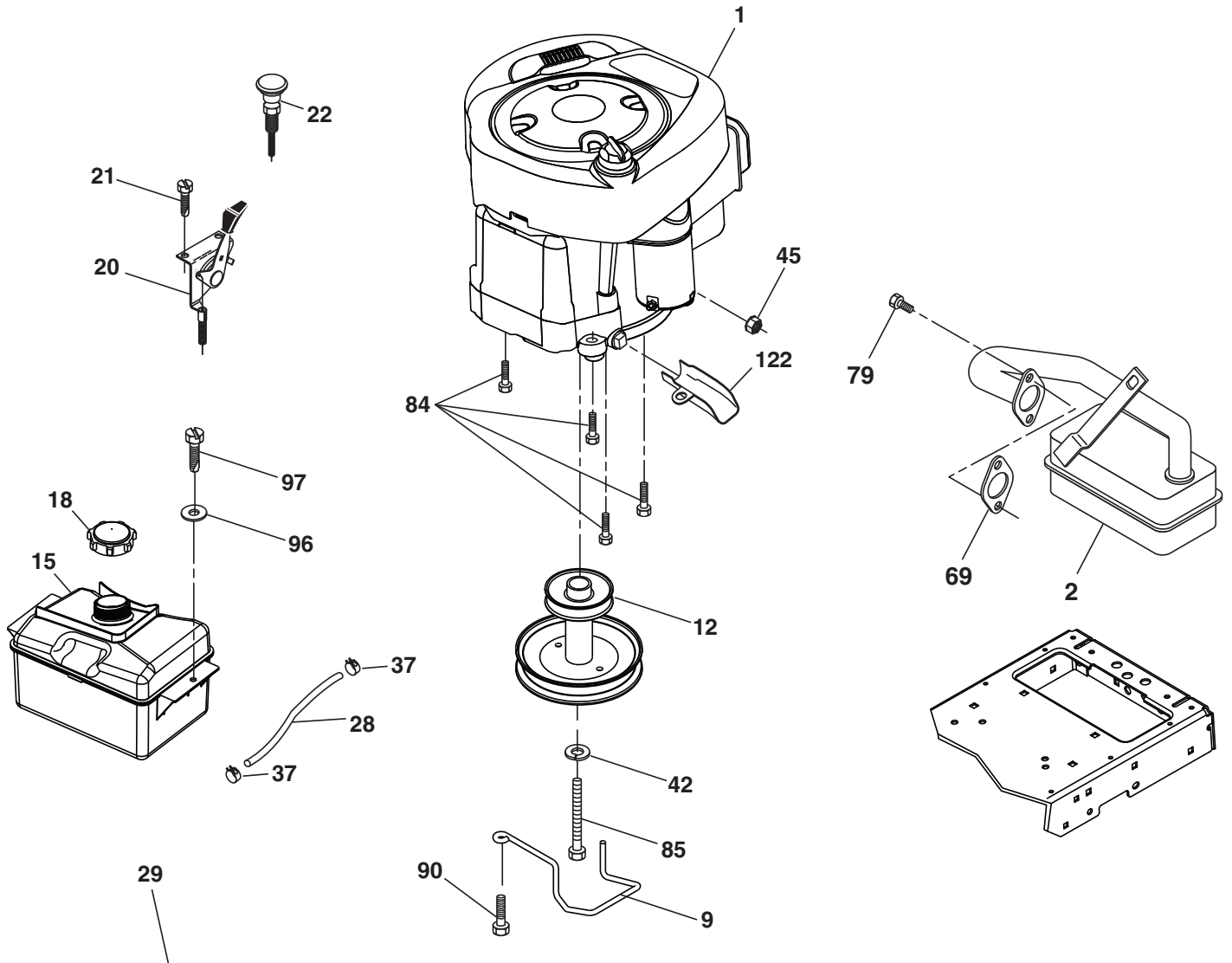


**TRACTOR - MODEL NO. M155-107TC (96051006402), PROD. NO. 960 51 00-64
DRIVE **40****

KEY NO.	PART NO.	DESCRIPTION	KEY NO.	PART NO.	DESCRIPTION
1	---	Transaxle, TUFFTORQ K46 DF (446488) (Order parts from trans-axle manufacturer.)	189	532 43 36-11	Bellcrank Ground Drive
2	532 12 35-83	Key Square	195	580 45 69-01	Bracket Brake Rod
6	532 12 40-28	Bushing Snap	203	819 11 11-16	Washer 11/32 x 11/16 x 16 Ga.
17	532 43 62-27	Spring, Brake	205	532 12 17-48	Washer 25/32 x 1-5/8 16 Ga.
27	817 49 05-28	Screw Hexwsh Thd 5/16-18 x 1.25	210	532 40 09-80	Rocker Asm. Pedal
29	532 44 27-95	Rod, Brake	214	532 42 12-63	Pedal Forward
30	819 13 16-16	Washer 13/32 x 1 x 16 Ga.	215	532 41 94-82	Pad Pedal Reverse
33	812 00 00-01	Ring E	211	532 12 01-83	Bearing Nylon
35	532 40 10-31	Rod, Brake, Park	221	532 40 31-87	Retainer Spring
37	532 18 89-67	Washer .793 x 1.637 x 060	222	879 21 20-10	Washer Flat
38	532 16 96-13	Nylon Snap In	226	532 40 15-64	Bracket Mount Torque
42	532 12 48-72	Cover, Foot Pedal	227	817 49 05-12	Screw
49	872 11 06-14	Bolt 3/8-16 unc	263	817 00 06-12	Screw Hexwsh Thd 3/8-16 x 3/4
50	532 19 43-27	Idler Flat	268	532 18 24-02	Guard Muffler
51	873 90 06-00	Lock Nut 3/8-16	275	819 13 16-14	Washer 13/32 x 1 x 14 Ga.
52	532 19 43-26	Idler V Groove	279	532 44 42-83	Link Shift Hydro
56	532 44 27-81	V-Belt, Drive	280	819 11 10-12	Washer 11/32 x 5/8 x 12 Ga.
61	532 44 51-51	Pulley Transaxle	309	532 16 55-81	Plate Fstnr.
64	532 19 78-65	Shaft Asm. Pedal Brake Control	310	817 49 06-10	Screw Hexwsh Thd 3/8-16 x 5/8
73	874 49 05-44	Bolt Hex 5/16-18 Gr. 5	311	532 16 98-45	Washer Nylon
90	532 44 36-05	Keeper Belt Clutching	312	532 16 56-14	Hub Tapered
99	532 44 39-47	Rod Bypass	313	874 78 04-16	Bolt Hex Fin 1/4-20 unc x 1.GD5
103	873 35 05-00	Nut 5/16-18 unc	314	532 44 47-13	Retainer, Belt
116	873 90 05-00	Nut Lock Hex Flange 5/16-18	315	817 58 05-20	Screw Thdrol 5/16-18 x 4.25
125	817 00 05-12	Screw 5/16-18 x 3/4	335	532 19 95-34	Idler V Pulley
140	810 04 04-00	Washer Lock Hvy. Helical 1/4	339	532 43 68-67	Strap Torue K46 CRD Tex
143	817 49 05-08	Screw Thdrol 5/16-18 x 1/2 TYTT	342	532 18 26-82	Keeper Belt
159	876 02 04-12	Pin Cotter 1/8 x 3/4	351	532 43 69-98	Bracket Deck Sway
160	532 16 94-84	Retainer Clip	352	532 43 56-45	Bracket Idler
161	532 10 57-09	Spring, Return, Clutch	355	532 43 56-69	Strap Torque
163	532 44 27-93	Rod Control	360	532 44 47-14	Nut Hex 5/16-24
166	532 42 91-64	Nut Push .625	362	532 43 68-12	Idler Flat
167	532 40 52-57	Latch Brake Parking	363	532 44 27-80	Spacer 343 x 63 x .62
175	532 42 93-59	Shaft Asm. Cross Shift	364	532 44 30-32	Bracket Idler
183	532 13 70-57	Spacer Axle			
184	532 44 14-07	Handle Park Brk.			
185	872 11 06-22	Bolt 3/8-16 unc x 2-3/4 Gr. 5			
186	532 19 43-21	Spacer Retainer			
188	532 19 43-23	Link Clutch Ground Drive			

NOTE: All component dimensions given in U.S. inches
1 inch = 25.4 mm

TRACTOR - MODEL NO. M155-107TC (96051006402), PROD. NO. 960 51 00-64
ENGINE 24



29

OPTIONAL EQUIPMENT
Spark Arrester

engine-tex_BS_35

**TRACTOR - MODEL NO. M155-107TC (96051006402), PROD. NO. 960 51 00-64
ENGINE 24**

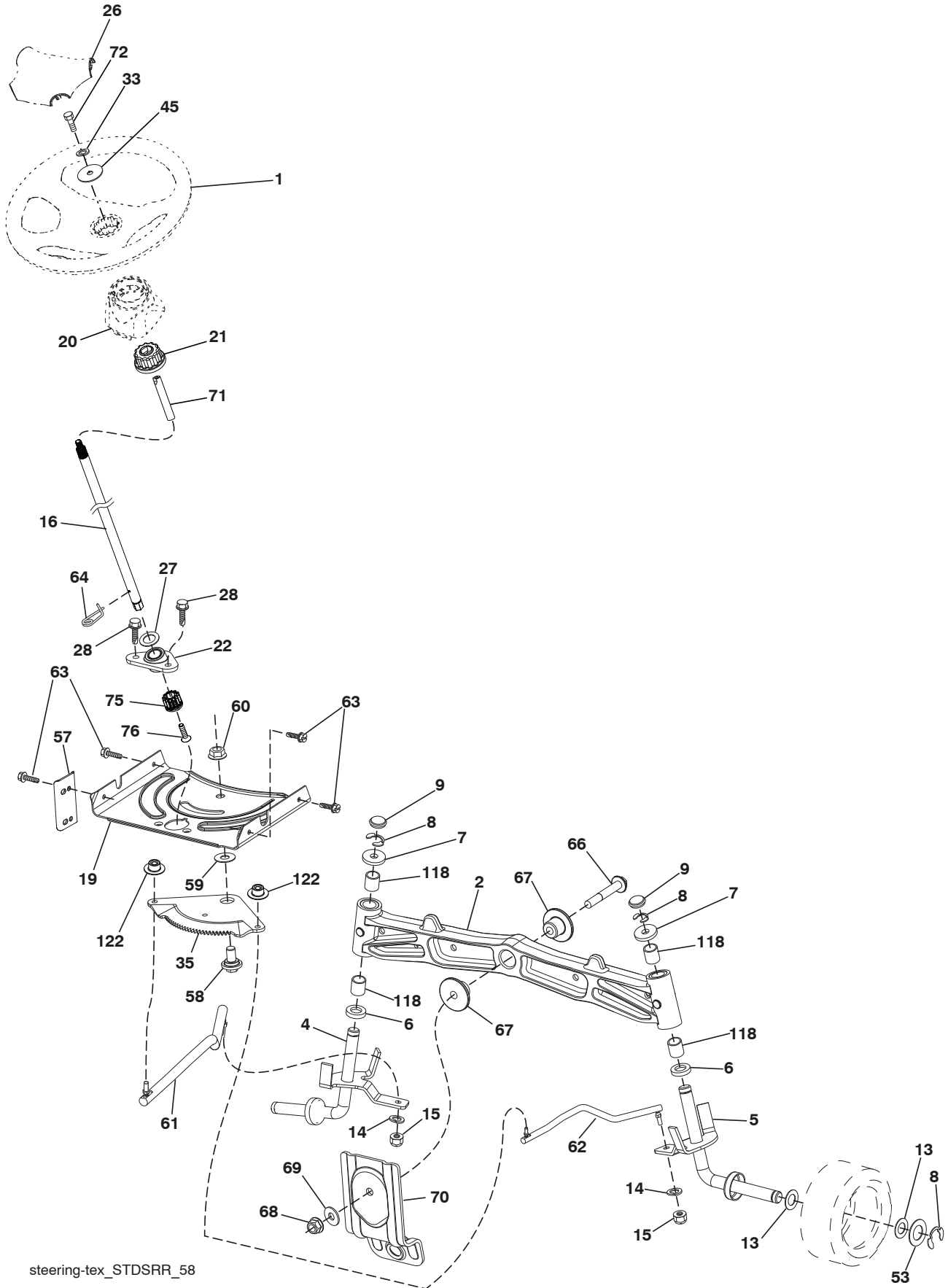
KEY NO.	PART NO.	DESCRIPTION
1	— — — — —	Engine Briggs Model 31R507-0003-B1 (585579901) (Order parts from engine manufacturer)
2	532 13 73-52	Muffler
9	532 19 43-20	Keeper Belt Engine
12	586 47 85-01	Pulley Engine
15	581 28 99-01	Tank Fuel
18	532 43 02-20	Cap Fuel
20	532 18 38-97	Control Throttle/Choke
21	532 41 63-58	Screw #10 x 0.750
22	532 19 49-81	Control Choke
28	532 13 70-40	Line Fuel
29	532 13 71-80	Kit Spark Arrester (Flat Scrn)
37	532 12 34-87	Clamp Hose Blk
42	810 04 07-00	Washer Lock 7/16
45	873 51-04-00	Nut Keps Hex 1/4-20 unc
69	532 16 52-91	Gasket Muffler
79	532 19 23-34	Screw 5/16-18 x .75
84	817 06 06-20	Screw 3/8-16 x 1-1/4
85	532 17 39-37	Bolt 7/16-20 x 4 x Gr. 5-1.5 THR
90	817 00 06-16	Screw 3/8-16 x 1
96	819 09 14-16	Washer 9/32 x 7/8 x 16 Ga.
97	817 67 04-12	Screw Hexwsh Thdrol 1/4-20 x 3/4
122	532 42 19-22	Extension Drain Oil

NOTE: All component dimensions given in U.S. inches
1 inch = 25.4 mm

Engine Power Rating Information

The gross power rating for individual gas engine models is labeled in accordance with SAE (Society of Automotive Engineers) code J1940 (Small Engine Power & Torque Rating Procedure), and rating performance has been obtained and corrected in accordance with SAE J1995 (Revision 2002-05). Torque values are derived at 3060 RPM; horsepower values are derived at 3600 RPM. Actual gross engine power will be lower and is affected by, among other things, ambient operating conditions and engine-to-engine variability. Given both the wide array of products on which engines are placed and the variety of environmental issues applicable to operating the equipment, the gas engine will not develop the rated gross power when used in a given piece of power equipment (actual “on-site” or net power). This difference is due to a variety of factors including, but not limited to, accessories (air cleaner, exhaust, charging, cooling, carburetor, fuel pump, etc.), application limitations, ambient operating conditions (temperature, humidity, altitude), and engine-to-engine variability. Due to manufacturing and capacity limitations, Briggs & Stratton may substitute an engine of higher rated power for this Series engine.

TRACTOR - MODEL NO. M155-107TC (96051006402), PROD. NO. 960 51 00-64
STEERING ASSEMBLY **41**



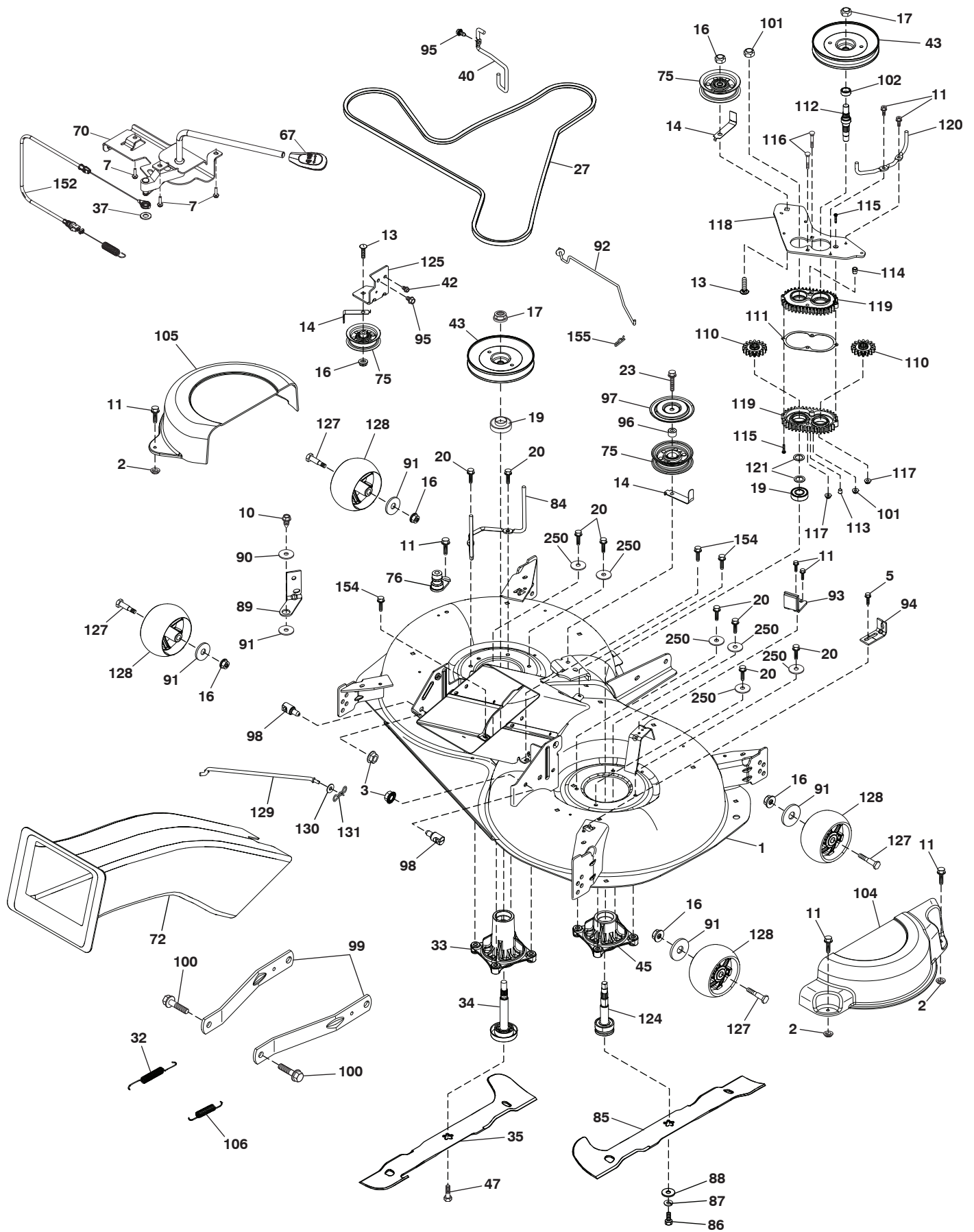
steering-tex_STDSRR_58

**TRACTOR - MODEL NO. M155-107TC (96051006402), PROD. NO. 960 51 00-64
STEERING ASSEMBLY 41**

KEY NO.	PART NO.	DESCRIPTION
1	532 44 28-04	Wheel, Steering
2	532 41 35-91	Axle Asm., Front
4	532 40 30-87	Spindle Asm., LH
5	532 40 30-88	Spindle Asm., RH
6	532 12 49-31	Bearing, Race Thrust Harden
7	532 12 17-48	Washer 25/32 x 1-5/8 x 16 Ga.
8	812 00 00-29	Ring, Klip #T5304-75
9	532 12 12-32	Cap, Spindle
13	532 12 17-49	Washer 25/32 x 1-1/4 x 16 Ga.
14	810 04 06-00	Washer, Lock Hvy Hlcl Spr 3/8
15	873 54 06-00	Nut, Crown Lock 3/8-24 unf
16	585 86 92-02	Steering Shaft
19	532 19 47-29	Plate Steering
20	532 40 97-63	Boot, Steering
21	532 18 67-37	Adapter, Wheel Steering
22	585 02 98-02	Bearing
26	532 44 77-59	Insert, Wheel Steering
27	819 21 16-16	Washer
28	817 00 06-12	Screw 3/8-16 x 3/4
33	810 04 05-00	Washer Lock 5/16
35	532 19 47-32	Gear, Sector Plate
45	819 11 38-12	Washer 11/32 x 3/8 x 12 Ga.
53	532 18 89-67	Washer Hardened .793 x 1.637 x .060
57	532 40 74-65	Bracket Upstop
58	532 19 47-47	Bolt Shoulder Sector Pivot CFM
59	532 19 47-48	Washer Thrust Sector Steering
60	873 97 10-00	Nut Flange Lock 5/8-11
61	532 19 47-40	Draglink, LH
62	532 19 47-41	Draglink, RH
63	817 00 05-12	Screw 5/16-18 x 3/4
64	532 19 98-49	Retainer Clip Spring Steering
66	871 02 07-48	Bolt Hex Fghd 7/16-14 x 3 Serr
67	532 19 47-37	Bushing PM Front Axle
68	873 90 07-00	Nut Lock Flange 7/16-14 Gr. 5
69	532 19 91-62	Washer 1.5 x .505 x .118
70	532 19 61-97	Bracket Deck Susp. Front
71	532 19 07-52	Shaft Extension Steering
72	532 42 89-82	Bolt Fin Hx 5/16-18 x 4
75	580 68 37-01	Pinion
76	580 68 36-01	Screw Head Sock
118	532 40 60-13	Bushing
122	532 44 49-62	Cap Gear Sector

NOTE: All component dimensions given in U.S. inches
1 inch = 25.4 mm

TRACTOR - MODEL NO. M155-107TC (96051006402), PROD. NO. 960 51 00-64
MOWER DECK **44**

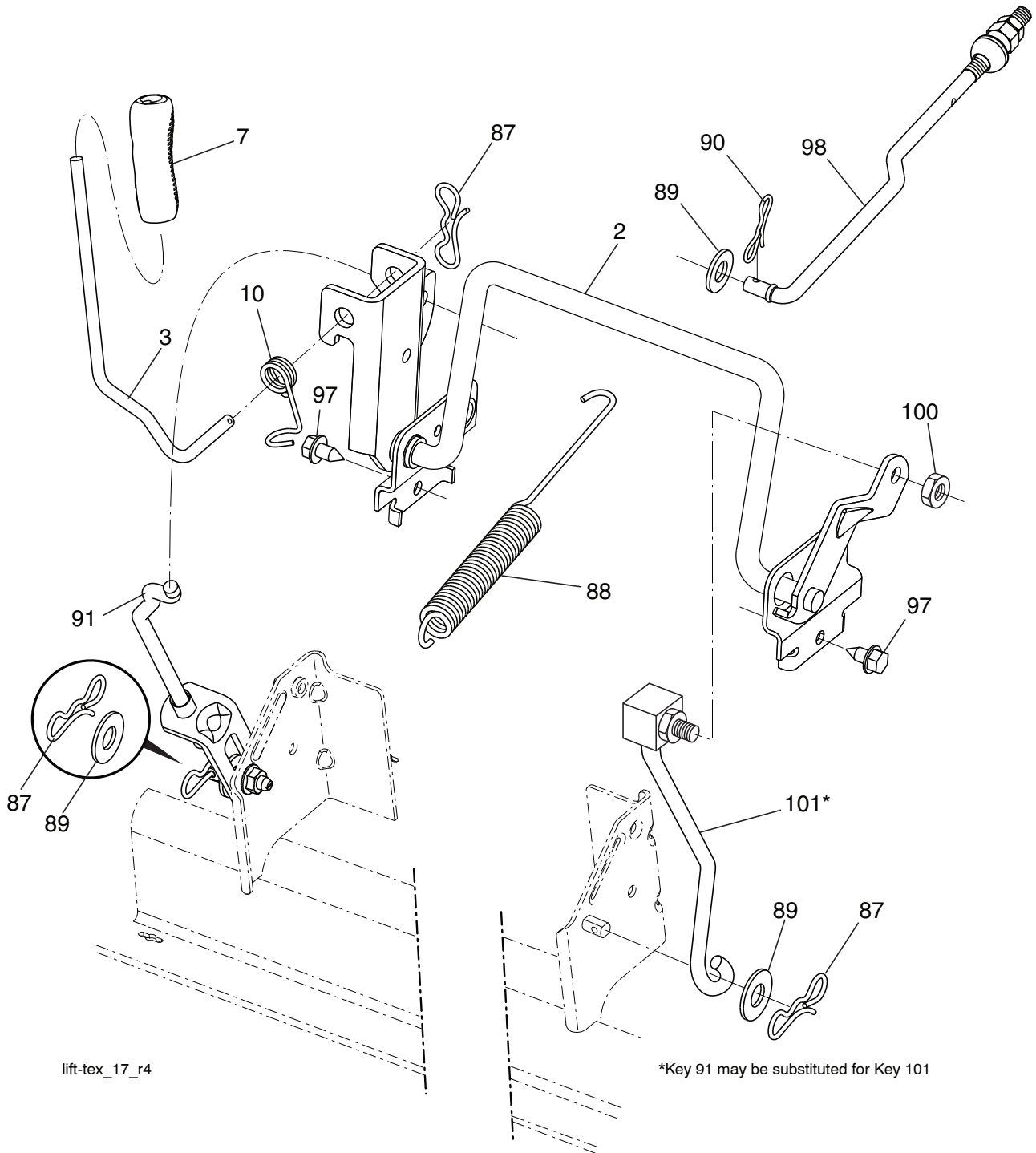


TRACTOR - MODEL NO. M155-107TC (96051006402), PROD. NO. 960 51 00-64
MOWER DECK 44

KEY NO.	PART NO.	DESCRIPTION	KEY NO.	PART NO.	DESCRIPTION
1	532 44 77-36	Deck Weldment	100	532 19 65-39	Bolt Shoulder
2	532 42 30-62	Pal Nut	101	873 68 09-00	Nut Crownlock 9/16 - 18 unc
3	873 90 05-00	Nut Lock Hex Flange 5/16 - 18	102	532 40 25-11	Spacer Bearing Swing Plate
5	817 00 05-10	Bolt 5/16-18	104	581 71 40-01	Mandrel Cover RH
7	532 41 63-58	Screw #10 x 0.750 BOS Thread	105	532 44 47-55	Mandrel Cover LH
11	532 13 77-29	Screw Thd Roll 1/4 - 20 X 5/8	106	532 19 32-16	Spring Brake Return
13	872 11 06-12	Bolt Carr Sh 3/8 - 16 X 1-1/2 Gr. 5	110	587 93 48-01	Gear Output
14	532 15 60-85	Keeper Belt Idler	111	532 43 69-79	Gasket Gearcase
16	873 90 06-00	Nut Lock FIG 3/8 - 16 unc	112	532 44 38-52	Shaft Gearcase Adapter
17	532 40 02-34	Nut Flange Lock Top	113	532 43 85-33	Plug Oil
19	585 32 39-01	Bearing Mandrel	114	532 43 85-34	Valve Relief
20	532 17 39-84	Screw Thread Roll	115	818 03 10-16	Screw Torx #10-24 x 1
23	817 49 06-28	Screw Thdrol 3/8 - 16 X 1-3/4	116	872 11 04-14	Bolt 1/4-20 x 1.75 Gr. 5
10	817 00 06-16	Screw 3/8-16x1 smgml tap	117	873 90 04-00	Nut Hex Flange 1/4-20 unc
27	532 44 58-80	V-Belt Drive	118	532 44 32-32	Arm Clutching
32	532 40 18-72	Spring Return Deck	119	532 43 81-66	Gearcase Subasm
33	580 79 61-01	Mandrel Asm. Tall	120	532 44 32-36	Keeper Belt RH
34	587 25 65-01	Shaft Asm	121	532 43 69-85	Washer
35	581 51 79-01	Blade Mower LH	124	581 65 07-01	Sub Asm. Reverse Thread
37	819 13 13-16	Washer 13/32 x 13/16 x 16 Ga.	125	532 44 04-20	Bracket Idler Chassis
40	532 19 72-58	Keeper Belt Engine LH	127	532 19 34-06	Bolt Shoulder 3/8-16 x 3-5/8 Gr. 5
42	817 00 05-12	Screw 5/16-18 x 3/4	128	532 17 48-73	Wheel Gauge
43	532 44 32-39	Pulley Mandrel	129	532 44 32-37	Rod Anti-Sway
45	581 65 08-01	Mandrel Asm. Short	130	819 13 13-12	Washer 13/32 x 13/16 x 12 Ga.
47	584 30 93-01	Screw	131	532 19 42-08	Pin Cotter 5/16 Bow Tie Lock
67	532 40 30-12	Handle Clutch Cable	152	532 44 76-66	Cable Clutch Manual w/Spring
70	532 40 12-46	Clutch Asm Manual	154	532 19 98-55	Screw Thd Roll 1/4-20 x 1/2
72	581 45 41-02	Chute Upper	155	532 12 47-88	Retainer Spring 1"
75	532 13 14-94	Pulley Idler Flat	250	819 11 12-12	Washer 11/32 x 3/4 x 12 Ga.
76	532 41 55-98	Washout Port	--	587 12 61-05	MANDREL ASSEMBLY TALL (Includes Housing Assembly (key#33), Shaft Assembly (key#34) and Bearing Only (key#19) - Pulley/Nut/Washer And Blade Bolt/Washers Not Included)
84	532 44 32-35	Keeper Belt LH Mandrel	--	581 65 05-01	MANDREL ASSEMBLY SHORT (Includes Housing Assembly (key#45), Shaft Assembly (key#124) and Bearing Only (key#19) - Pulley/Nut/Washer And Blade Bolt/Washers Not Included)
85	581 51 80-01	Blade Mower RH	--	583 90 34-01	Replacement Mower Complete
86	532 18 17-13	Bolt 3/8-24 x 1.50 Gr. 8			
87	810 03 06-00	Washer Lock Hvy. 3/8			
88	532 14 02-96	Washer Hard			
89	532 19 72-61	Arm Brake 97 LH			
90	532 19 90-92	Spacer Retainer			
91	819 13 20-12	Washer 13/32 x 1-1/4 x 12 Ga.			
92	532 44 32-33	Rod Brake Assembly			
93	532 43 81-25	Arm Brake RH			
94	532 19 72-50	Bracket Clutch Cable			
95	817 00 06-12	Screw 3/8-16 x 3/4			
96	532 40 02-71	Spacer			
97	532 18 20-61	Shield Idler Mower			
98	532 19 51-61	Stud Fastener			
99	532 19 51-86	Arm Suspension Mower Rear			

NOTE: All component dimensions given in U.S. inches
1 inch = 25.4 mm

TRACTOR - MODEL NO. M155-107TC (96051006402), PROD. NO. 960 51 00-64
MOWER LIFT 45

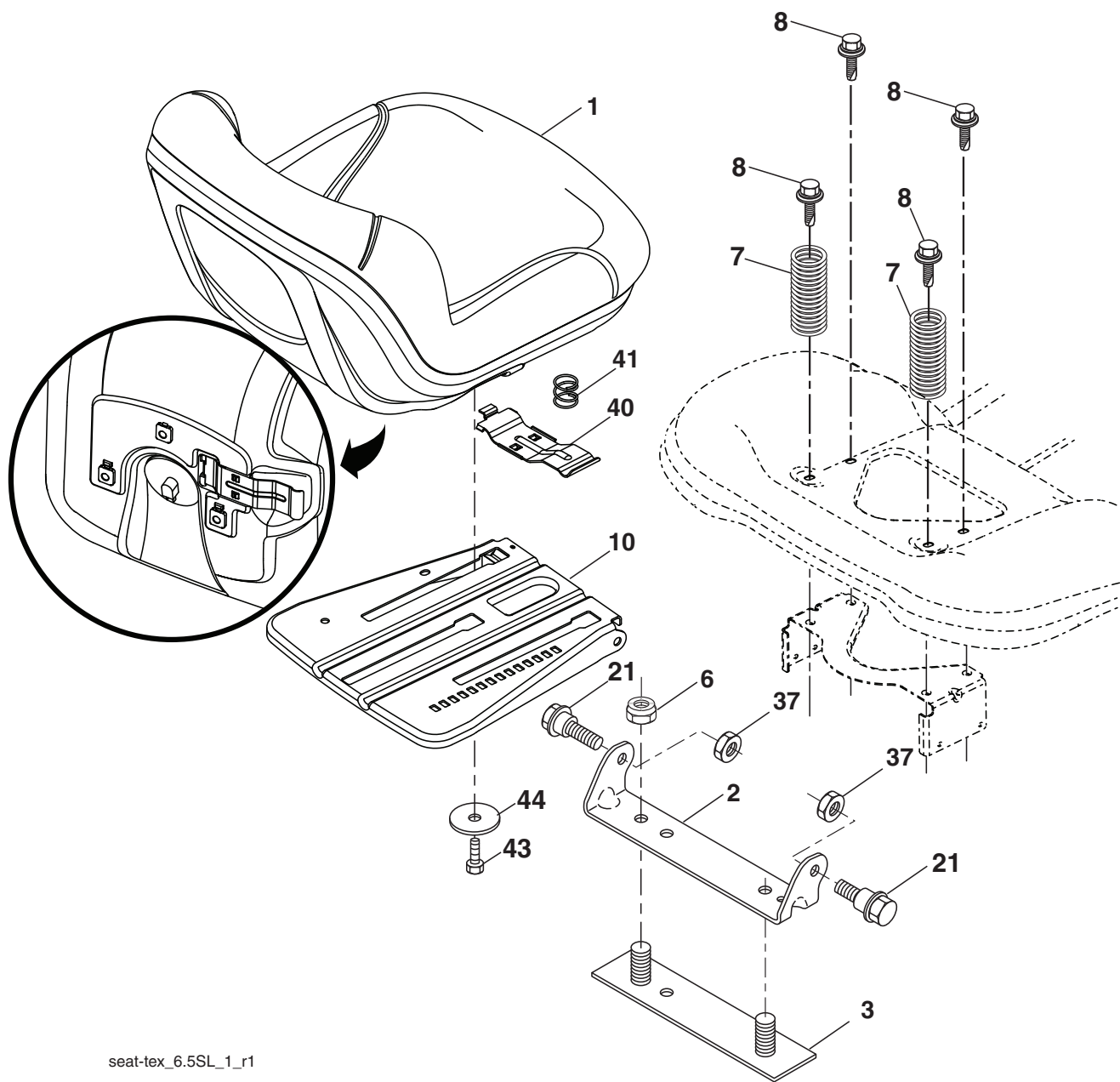


KEY NO.	PART NO.	DESCRIPTION
2	532 43 69-96	Deck Lift
3	532 19 52-31	Lever Asm., Lift RH
7	580 96 23-01	Grip, Lever
10	532 19 63-14	Spring Torsion
87	532 19 42-09	Pin Cotter 7/16 Bow Tie Lock
88	532 44 54-96	Spring Lift Assist
89	819 19 19-12	Washer 17/32 x 1-3/16 x 12 Ga.
90	532 19 42-08	Pin Cotter 5/16 Bow Tie Lock

KEY NO.	PART NO.	DESCRIPTION
91	532 19 51-81	Link Lift Susp Mower Rear
97	817 49 06-08	Screw 3/8-16 x 1/2
98	532 19 52-70	Link Lift Susp. Front Mower
100	873 93 06-00	Nut Centerlock 3/8-16
101	532 40 70-03	Link Asm Lift FXD

NOTE: All component dimensions given in U.S. inches
 1 inch = 25.4 mm

**TRACTOR - MODEL NO. M155-107TC (96051006402), PROD. NO. 960 51 00-64
SEAT ASSEMBLY 42**



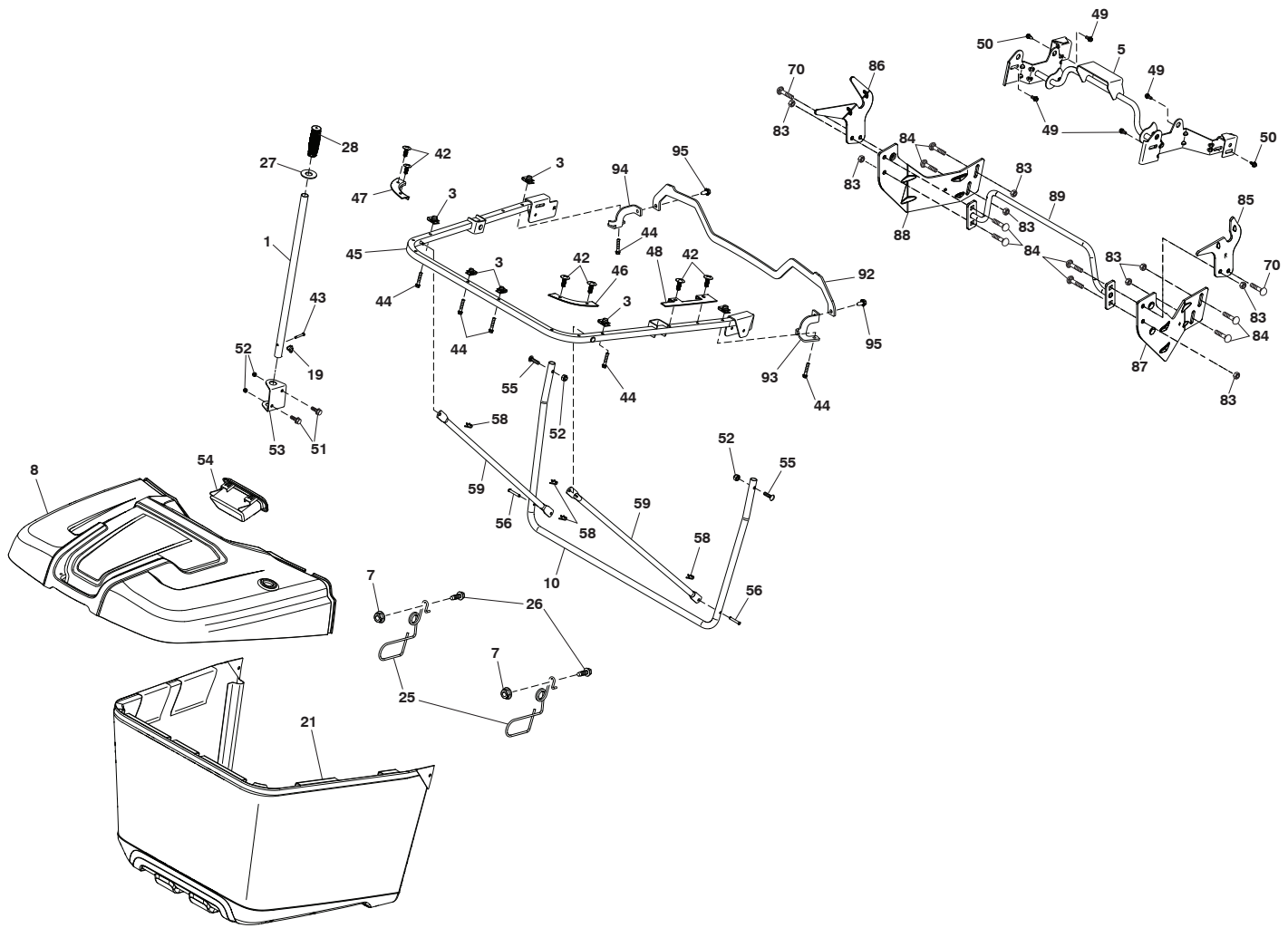
seat-tex_6.5SL_1_r1

KEY NO.	PART NO.	DESCRIPTION
1	581 46 21-01	Seat
2	532 18 01-66	Bracket Pnt Pivot Fender
3	532 14 06-75	Strap
6	873 80 06-00	Nut Lock Hex w/Ins 3/8-16
7	532 12 41-81	Spring Seat Cprsn 2 250 Blk Zi
8	532 17 18-77	Bolt 5/16-18 unc x 3/4
10	532 19 69-77	Pan Pnt Seat
21	532 17 18-52	Bolt Shoulder 5/16-18 unc-2A

KEY NO.	PART NO.	DESCRIPTION
37	873 80 05-00	Nut Hex Lock w/Ins 5/16-18
40	532 19 76-61	Handle Slide
41	532 19 82-00	Spring Latch
43	874 76 06-12	Bolt 3/8-16 unc x 3/4
44	819 13 38-12	Washer 13/32 x 2-3/8 x 12 Ga.

NOTE: All component dimensions given in U.S. inches
1 inch = 25.4 mm

TRACTOR - MODEL NO. M155-107TC (96051006402), PROD. NO. 960 51 00-64
BAGGER **46**



Bagger_TexCRD-Gen2_8

**TRACTOR - MODEL NO. M155-107TC (96051006402), PROD. NO. 960 51 00-64
BAGGER 46**

KEY NO.	PART NO.	DESCRIPTION
1	532 42 86-10	Tube Handle Bagger
3	532 17 48-14	Nut Push
5	532 44 37-62	Frame Asm Top Bagger
7	873 90 04-00	Nut Hex Flange 1/4-20 unc
8	532 44 78-28	Cover Bagger
10	532 44 37-55	Frame Front
19	532 19 42-08	Cotter Pin 5/16 Bow Tie
21	581 33 71-01	Bag Asm
25	532 44 55-28	Latch Bagger
26	817 49 04-12	Screw Hexwsh Thdrol 1 1/4~20 x 3/4
27	532 44 55-29	Grommet Rubber
28	532 16 57-87	Grip Handle Black
42	532 44 04-28	Christmas Tree Clip
43	532 12 68-75	Clevis Pin
44	532 19 96-87	Bolt 1/4-20 1.50
45	532 44 37-54	Upper U Frame Weldment
46	532 44 55-41	Bagger Corner Close-Out RH
47	532 44 40-79	Bagger Corner Close-Out LH
48	532 44 40-80	Top Bagger Side Close-Out
49	532 17 18-73	Bolt Shoulder 5/16~ 18 TT
50	532 17 18-77	Bolt 5/16-18 unc x 3/4 W/SEMS
51	872 11 05-06	Bolt RDHDSQNK 5/16-18 unc x 3/4
52	873 80 05-00	Nut Lock HX W/INS 5/16-18 UNC
53	532 44 41-95	Bracket Dump Handle
54	532 44 75-43	Bagger TOP Front Handle
55	872 14 05-12	Bolt Rdhd Sq 5/16-18UNCX1 1/2
56	532 42 03-06	Pin Clevis .1830DX1.26 long
58	532 08 51-79	Clip Retainer PM
59	532 44 47-63	Bagger Spread Tube
70	817 00 06-12	Bolt 3/8-16X3/4
83	873 80 06-00	Nut Lock Hex w/Ins 3/8-16
84	872 11 06-08	Bolt RDHD SQNK 3/8-16 x 1 Gr. 5
85	581 31 44-02	Bracket RH Pivot
86	581 31 43-02	Bracket LH Pivot
87	581 31 48-02	Bracket RH
88	581 31 47-02	Bracket LH
89	581 31 51-04	Weldment Offset Strut
92	586 05 23-02	Bracket Top Support
93	586 05 24-02	Bracket Support RH
94	586 05 25-02	Bracket Support LH
95	817 00 05-12	Screw 5/16-18 x 3/4

NOTE: All component dimensions given in U.S. inches
1 inch = 25.4 mm

